

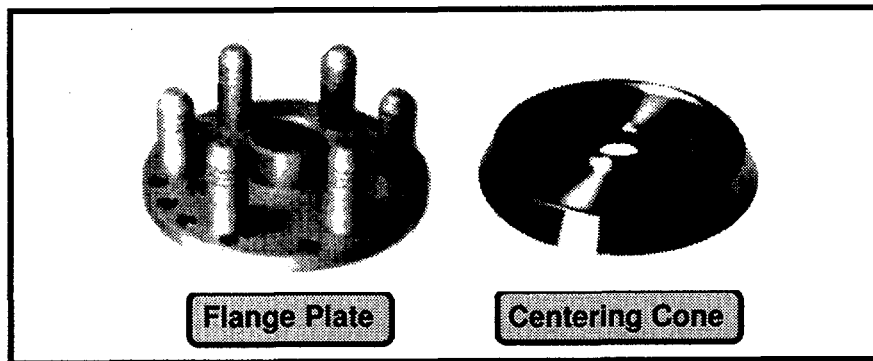
# TOYOTA TECHNICAL SERVICE BULLETIN

REF.: SUSPENSION  
 NO.: SU002-96  
 DATE: MARCH 22, 1996  
 MODEL: ALL MODELS

## WHEEL BALANCE ADAPTER KIT

Page 1 of 3

To improve the accuracy of Dynamic Off-Car wheel balancing on all OEM Toyota five and six lug wheels, a precision wheel adapter kit must be used. For the greatest accuracy and repeatability, Toyota recommends using the Haweka adapter kit available through the Toyota Approved Dealer Equipment catalog. The kit consists of a precision ground centering cone for truck alloy wheels and a flange plate.



### PART NUMBER INFORMATION:

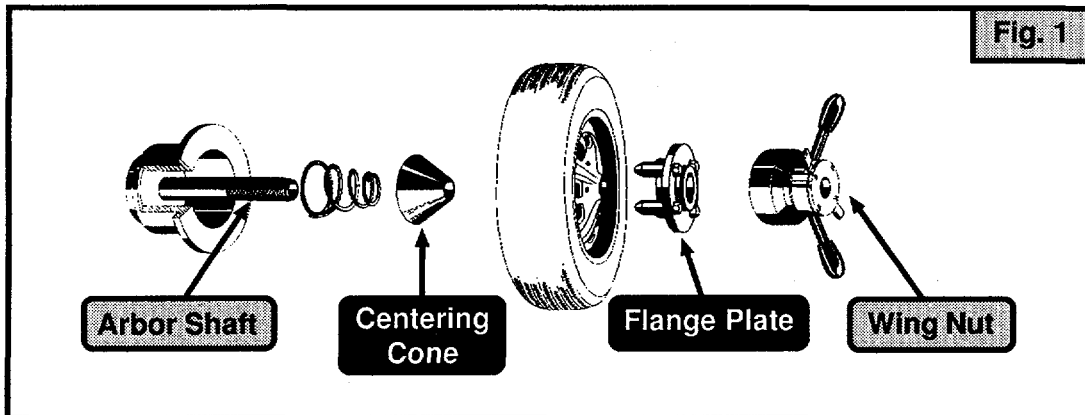
WHEEL BALANCE MANUFACTURER	HAWEKA ADAPTER KIT
Hennessy/Coats	195-200-001-280 *
Snap-On	
Accu	195-200-001-400 *
Hunter	
FMC	
GeoDyna	

\* Haweka Precision Adapter Kit includes flange plate, centering cone and instructional video tape.

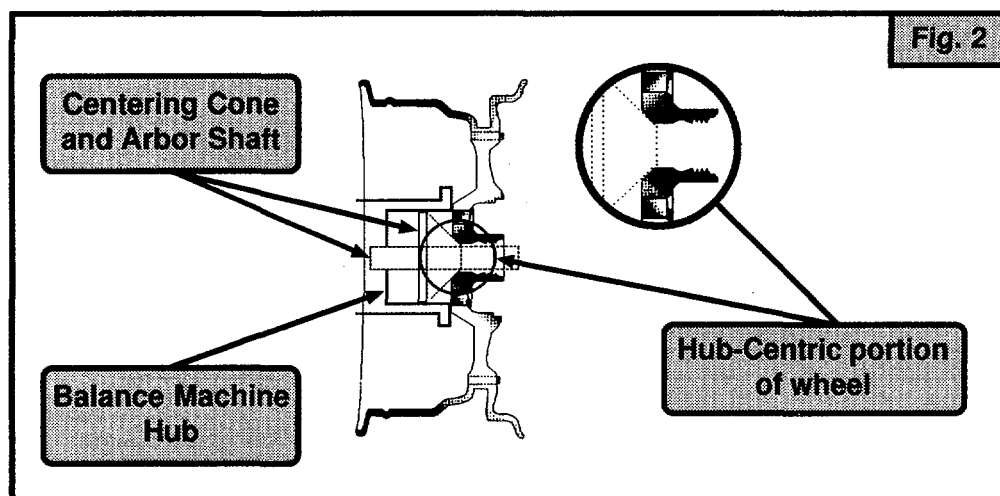
**NOTE:** Tires that have nylon belts must be warmed-up sufficiently by driving 4 to 5 miles at 45 m.p.h. before balancing. This will avoid a cold set flat spot and restore the tire to its full round condition.

## BALANCE PROCEDURE:

The Haweka Flange Plate uses the wheel lug holes and a centering cone to center the wheel on the balancer arbor. As the wing nut is tightened, equal pressure is automatically applied to each stud forcing the wheel to perfectly mount on the balancer (see Figure 1).



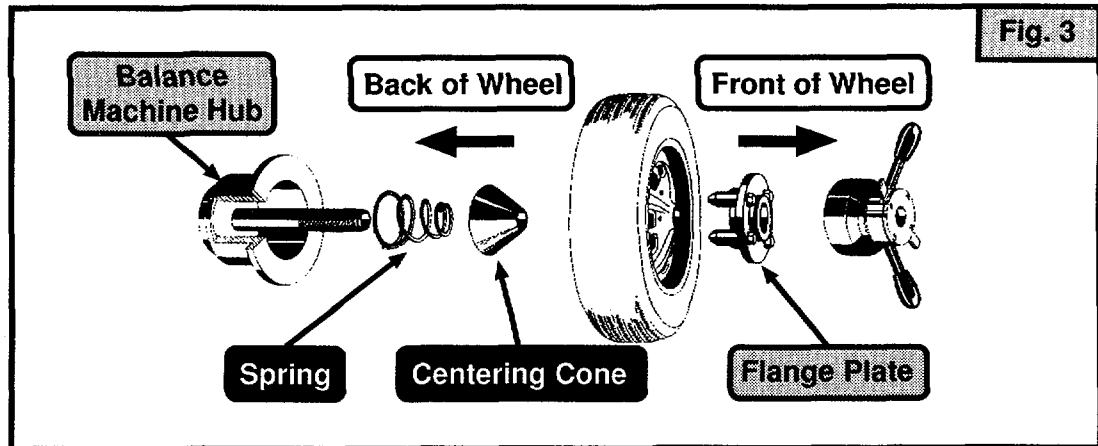
1. Use the centering cone and flange plate combination on all five and six lug steel and alloy Toyota wheels. On four lug and other wheels, use the standard centering cones that come with your balancer.
2. Verify that the centering cone fits inside the wheel center as well as inside the balance machine hub (see Figure 2). Contact a Dealer Consultant at Toyota Approved Dealer Equipment or your wheel balance manufacturer for further information.



## WHEEL BALANCE ADAPTER KIT

### BALANCE PROCEDURE (Cont'd):

3. Always install the spring and centering cone toward the back side of the wheel (see Figure 3).



For additional wheel balancer accessories, refer to the latest Toyota Approved Dealer Equipment catalog (P/N 00451-86023-96T) or contact a Dealer Consultant at Toyota Approved Dealer Equipment at 1 (800) 368-6787.

**To place an order, please call Toyota Approved Dealer Equipment at  
1 (800) 368-6787.**