

TECHNICAL SERVICE BULLETIN

REF.: STEERING
NO.: ST001-96
DATE: MAY 17, 1996
MODEL: ALL MODELS

STEERING GEAR/STEERING WHEEL REMOVAL & INSTALLATION Page 1 of 4

Any time the steering gear is removed on a vehicle equipped with an SRS airbag, the steering wheel must also be removed. Use of the following steps for reinstallation and re-centering of the steering wheel will prevent possible damage to the spiral cable.

REQUIRED STEPS FOR STEERING GEAR REMOVAL AND INSTALLATION:

Removal:

- Place front wheels facing straight ahead.
- Remove the steering wheel pad.
- Remove the steering wheel.

Installation:

- Place front wheels facing straight ahead.
- Center the spiral cable.
- Install the steering wheel.
- Install the steering wheel pad.

STEERING GEAR/STEERING WHEEL REMOVAL PROCEDURES:

Follow the steps below to remove the steering wheel from the vehicle.

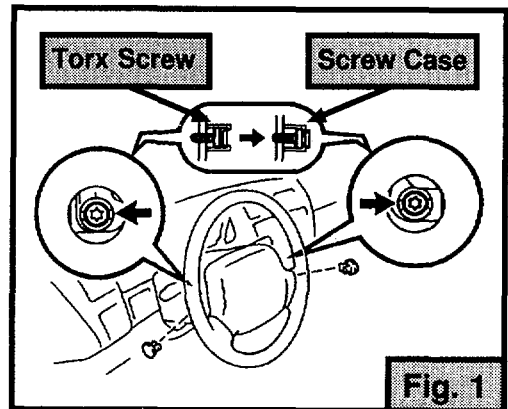
1. Place front wheels in the straight ahead position.
2. With ignition switch in lock position, disconnect the negative terminal of the battery.
3. Remove Steering wheel pad.

NOTICE: If the airbag connector is disconnected with the ignition switch at "ON" or "ACC", a "Diagnostic Trouble Code" will be recorded.

Never use airbag parts from another vehicle. When replacing parts, replace with new parts.

STEERING GEAR/STEERING WHEEL REMOVAL PROCEDURES (Cont'd):

- a. Remove the steering wheel lower cover.
- b. Using a torx socket wrench, loosen the torx screws until the groove along the screw circumference catches on the screw case. (See Fig. 1)
- c. Pull the wheel pad away from the steering wheel and disconnect the airbag connector. (See Fig. 2)

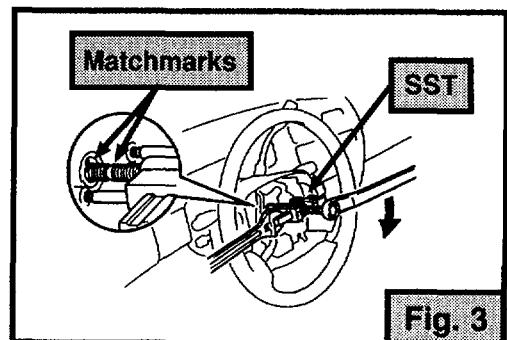
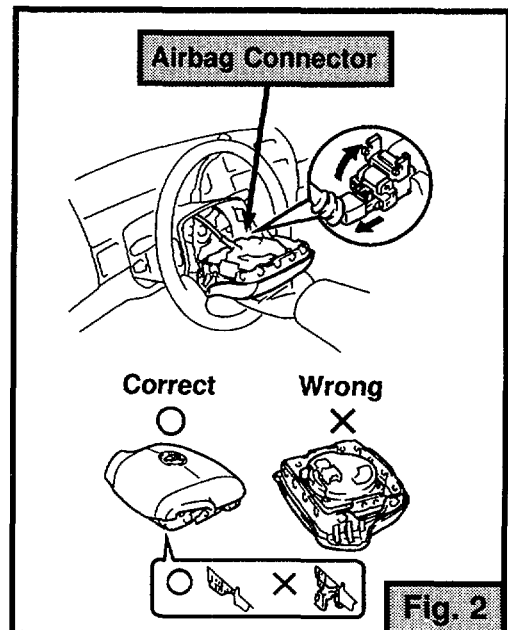


CAUTION: When storing the wheel pad, keep the upper surface of the pad facing up.

Never disassemble the wheel pad.

NOTICE: When removing the wheel pad, take care not to pull the airbag wiring harness.

4. Remove the steering wheel.
 - a. Disconnect the spiral cable connector.
 - b. Remove the wheel set nut.
 - c. Place matchmarks on the wheel and steering main shaft. (See Fig. 3)
 - d. Using the appropriate SST, remove the wheel. SST 09950-50010 or 09609-20011 or suitable substitute.



For further disassembly of the steering column, refer to the Steering (SR) section of the Repair Manual.

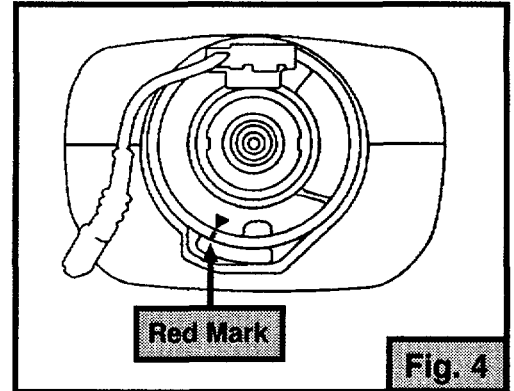
STEERING GEAR/STEERING WHEEL INSTALLATION PROCEDURES:

Follow the steps below to install the steering wheel.

1. Place front wheels in the straight ahead position.

STEERING GEAR/STEERING WHEEL INSTALLATION PROCEDURES (Cont'd):

2. Center spiral cable.
 - a. Turn the cable counterclockwise by hand until it becomes harder to turn.
 - b. Then rotate the cable clockwise about 2.5 or 3 turns to align the marks. (See Fig. 4)
3. Install the steering wheel.
 - a. Align the matchmarks on the wheel and steering main shaft.
 - b. Temporarily tighten the wheel set nut.
 - c. Connect the spiral cable connector.
4. Bleed Power Steering System (when applicable).
5. Check steering wheel center point.
6. Torque steering wheel set nut. See the applicable vehicle's repair manual for the torque specification.
7. Install and center steering wheel pad.

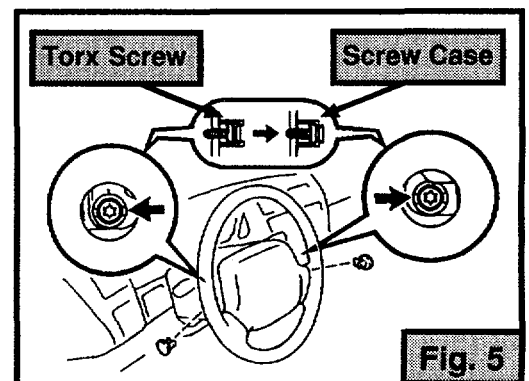


NOTICE: Make sure the pad is centered and installed to the specified torque.

If the pad has been dropped, or there are cracks, dents or other defects in the case or connector, replace the wheel pad with a new one.

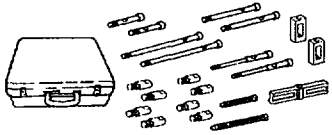

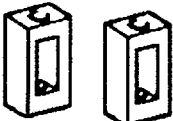


When installing the pad, take care that the wiring does not interfere with other parts and is not pinched between other parts.

- a) Connect the airbag wiring connector.
- b) Install the pad after confirming that torx screws are in the screw case.
- c) Using a torx socket, torque the screws to the specification in the vehicle's Repair Manual. (See Fig. 5)
- d) Install the steering wheel lower cover.

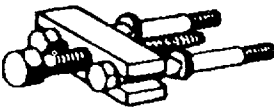


STEERING GEAR/STEERING WHEEL REMOVAL & INSTALLATION Page 4 of 4


SST (SPECIAL SERVICE TOOLS):

SST	TOOL NUMBER	TOOL NAME	APPLICATION
	09950-50010	Puller C Set	Power tilt and power telescoping steering column
	09951-05010	Hanger 150	
	09952-05010	Slide Arm	
	09953-05020	Center Bolt 150	
	09954-05020	Claw No. 2	

OR USE:

SST	TOOL NUMBER	TOOL NAME	APPLICATION
	09609-20011	Steering Wheel Puller	All Models

RECOMMENDED TOOLS AND NECESSARY EQUIPMENT:

TOOL	TOOL NUMBER	TOOL NAME	APPLICATION
	09042-00010	Torx Socket T 30	Steering Wheel Pad

EQUIPMENT: Torque Wrench

LUBRICANT: ATF DEXRON II or III