

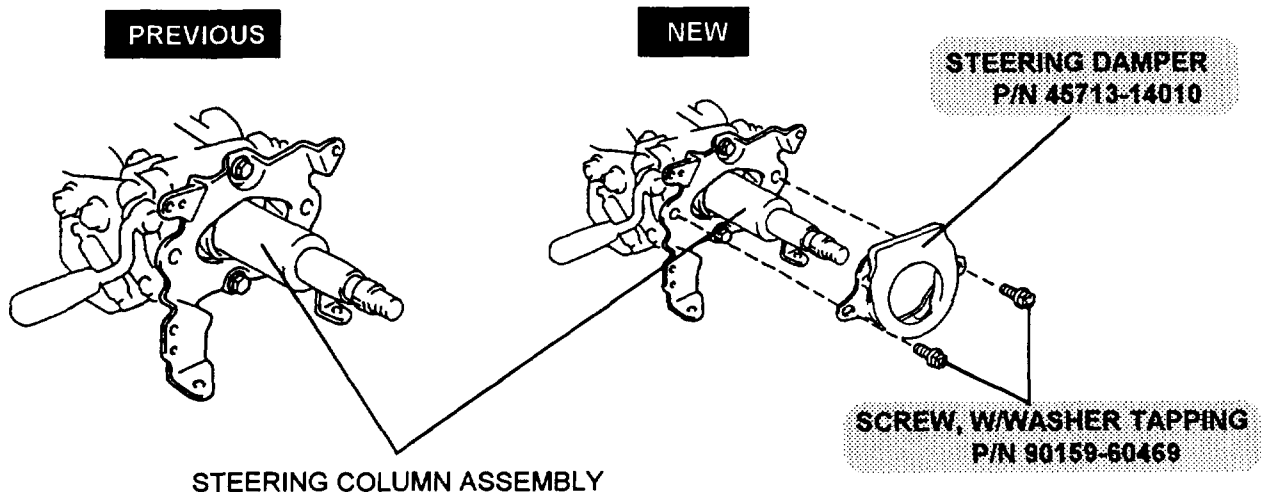
TECHNICAL SERVICE BULLETIN

REF.: STEERING
 NO.: ST94-002
 DATE: JUNE 10, 1994
 MODEL: JA

STEERING WHEEL VIBRATION

Page 1 of 1

A steering damper has been added to the steering column to reduce steering wheel vibration at high speeds.



PRODUCTION EFFECTIVE:

VIN	EFFECTIVE DATE
JT2JA8##R0010024	September 1993

SERVICE INFORMATION:

This damper can be installed on previous JA Supra's built before the production change to reduce steering wheel vibration at high speed.

PART NUMBER INFORMATION:

PART NUMBER	PART NAME	QTY
45713-14010	Damper, Steering	1
90159-60469	Screw, W/Washer Tapping	2

Index # 038731

TOYOTA MOTOR SALES U.S.A., INC.